

NA4900-RSR-XL

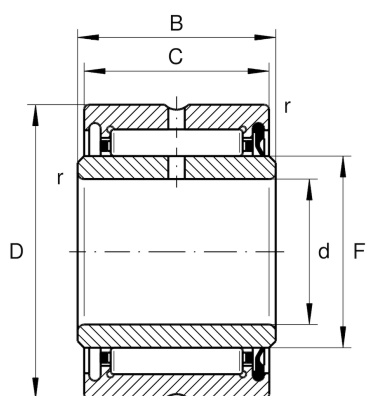
Needle roller bearing

Schaeffler ID:
0507734960000

Needle roller bearings NA49..-RSR,
dimension series 49, lip seal on one side

X-life

Technical information



Main Dimensions & Performance Data

d	10 mm	Bore diameter
D	22 mm	Outside diameter
B	14 mm	Width, inner ring
C_r	7,700 N	Basic dynamic load rating, radial
C_{0r}	6,900 N	Basic static load rating, radial
C_{ur}	1,390 N	Fatigue load limit, radial
$n_{G \text{ Grease}}$	14,800 1/min	Limiting speed for grease lubrication
	23.52 g	Weight

Dimensions

F	14 mm	Raceway diameter inner ring
C	13 mm	Width, outer ring
r_{\min}	0.3 mm	Minimum chamfer dimension

Temperature range

T_{\min}	-20 °C	Operating temperature min.
T_{\max}	100 °C	Operating temperature max.